

In order to get the best wireless connection, it is recommended to take into account the following guidelines:

- Always align the orientation of the CRMX transmitter with the EXORAA antenna. In case the antenna of the projector is vertical, make sure to set the antenna of the transmitter vertically.
- Keep all metallic objects away as much as possible, to prevent interferences.
- Keep the line of sight between transmitter and projector as clear as possible.
- Do not use the CRMX in areas with high electromagnetic perturbations.

DIMMING CURVE

A long press (>5 seconds) on the central encoder allows to modify the dimming curve of the projector.

C = "Custom", dimming optimized for AR111

L = "Linear", linear dimming curve

Press for 1 second to validate.

RESET

To reset the projector to factory settings:

- 1- Set the fixture to Manual mode
- 2- Hold down the central encoder for more than 10 seconds until the flashing message " _ _ _ _ " is displayed. Then release the encoder. The fixture will then restart with the factory settings.

Factory settings: @DMX001 / "Custom" dimming

Important: Note that for CRMX versions, the RESET does not unpair the fixture from its transmitter.

To unpair a CRMX fixture, it is necessary to set the fixture in CRMX mode and then hold the UNLINK button for 3 seconds until the CRMX LEDs turn off.

SAFE INSTRUCTIONS

Proper use

This unit is designed to drive a DMX LED lamp. Use the device only in its intended use as described in this manual. Any other use, as well as use in other conditions, will be considered non-compliant and can cause injury and damage. No liability will be assumed for damages resulting from improper use.

The device should only be used by people in full possession of their physical, sensory and mental abilities who must have the knowledge and experience required. Any other people is only allowed to use the device under the supervision or direction of a person responsible for its safety.

Safety

Risk of electric shock

This lighting system requires high voltage, which can result in an electrical shock. Never remove covers.

The parts inside the device are maintenance free.

Dangers for children

Ensure a proper disposal of plastic envelopes and packaging. They should not be near babies nor young children: suffocation danger. Make sure that children do not remove small parts of the unit (e.g. knobs, screws or similar). Children could swallow the pieces and choke.

Never leave unattended children use electrical devices.

Electric shock caused by a short circuit

Do not modify the power cord nor the plug. In case of non-compliance, there is a risk of electric shock and fire hazard and death. If in doubt, contact a certified technician.

Eye injuries due to a high light intensity

Do not look at the beam light directly to avoid any visual problems.

Risk of fire

Never cover the device nor its ventilation slots. Do not install the device close to a source of heat. Keep the device away from flames.

The device can get very hot during operation. Keep the device away from flammable materials.

Terms of use

The device is designed for indoor use. To prevent damage, do not expose the product to liquid or moisture. Avoid direct sunlight, clogging and strong vibrations.

Power supply

Check the operation of the power supply before connecting to the system.

Before connecting the appliance, check if the voltage

indicated on the device matches the voltage on the local supply network and if the socket is fitted with a differential circuit breaker. In case of non-compliance, the device could be damaged and the user might be injured.

When a storm is announced or the unit must not be used for an long time, unplug it to reduce the risk of electric shock or fire.

CARE

- Unplug the unit when cleaning it and during all maintenance operations.

- Do not use cleaning product: use a dry cloth and rub gently.

EXALUX is a registered trademark of the French tech company LEDIXIS

1 rue de la Noë - Bat. IM3
CS 12111 | 44322 Nantes cedex 3 | FRANCE
+33 (0)9 72 45 70 43
www.exalux.eu

Information :
contact@exalux.eu
technical support :
tech@exalux.eu



GENERAL INFORMATION

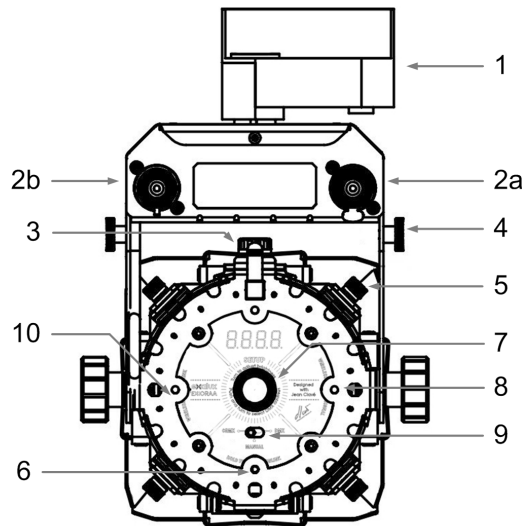
This instruction manual contains important notifications regarding the safe use of the EXORAA projector, TRACK DMX, TRACK CRMX, WIRE DMX, WIRE CRMX.

Please take the time to read this manual carefully and thoroughly before installing and operating the system.

We recommend you keep a copy for future use and you transfer it to the buyer if you resell the lighting system.

EXALUX reserves the right to modify and upgrade its range of products, with no obligation to integrate these changes into products already sold. Therefore, all the information found in this manual is subject to change without notice.

OVERVIEW



- 1: Power supply (3-circuit lighting track)
- 2a: DMX OUT connector
- 2b: DMX IN connector
- 3: Lamp locking wheel
- 4: Snap holder (x2)
- 5: Barndoors mouting screws (x4)
- 6: CRMX unlink button
- 7: Adjustment rotary knob
- 8: CRMX signal strength indicator
- 9: Mode selector
- 10: CRMX link indicator

TECHNICAL SPECIFICATION

Power supply	100-240VAC 50-60Hz
Power consumption	20W
Light engine	LED Lamp, AR111, 12V 18.5W
Operation modes	Manual DMX CRMX Wireless DMX
Driver	PWM 32kHz (Flicker Free)
Weight	1.5kg (with lamp)

POWER SUPPLY (1)

The EXORAA projector is powered from mains power supply, 100-240VAC 50-60Hz. The nominal power consumption is 20W.

- The EXORAA WIRE version is powered using a PowerCON connector connected to a cable attached to the yoke.
- The EXORAA TRACK is powered using a standard 3-circuit lighting track.

Make sure that the AC power is off before connecting the projector to the lighting track. Make sure to insert the adapter properly in the track (mechanical polarity). Lock the adapter using the lever. Select the AC phase to use with the knob.

LAMP INSTALLATION

THE USE OF A NON-COMPATIBLE LAMP CAN LEAD TO THE DESTRUCTION OF THE PROJECTOR.

The projector EXORAA is meant to be used with a 12VDC, 18.5W AR111 lamp.

In order to install the lamp in the projector, follow the steps described:

- Switch off the power supply.
- In case the projector was on, let a cool down for a while. When used a full brightness, the lamp can reach temperature over 70°C (160°F).
- Unscrew the locking wheel (3), in order to free the lamp guard from the frame.
- Open the projector and insert the lamp (no polarity).
- Close the lamp guard, making sure that the lamp is not moving.
- Screw the locking wheel (3) in order to secure the lamp in the projector.

BARNDOORS INSTALLATION

When required, the barndoors of the projector EXORAA can be removed from the frame. To do so, unscrew the four mouting screw (5) and take the barndoors out.

This feature allows to rotate the barndoors by 90°.

In order to prevent overheating, it is not recommended to keep the barndoors close when the projector is in use.

SNAP USAGE

It is possible to modify the colour temperature and the beam angle of the projector with the use of snaps (sold separately).

Several snaps can be stacked in order to add up the effects.

Two snap holders (4), located on each side of the yoke, provide a dedicated space to store the unused snaps, and the magnetic removal tool.

For more information: www.exalux.eu/exoraa

OPERATION MODES

OFF

When the selector (9) is on the OFF position, the projector EXORAA is in standby. It can be considered switched off, since its power consumption is insignificant.

LOCK

When the selector (9) is on the LOCK position, the current state of the projector is protected against any unwanted modification.

After 10 seconds of inactivity, the screen only displays a red dot, in order to reduce light interferences.

MANUAL

When the selector (9) is on the MANUAL position, the brightness of the projector is adjusted by the user, using the central rotary knob (7). Turn clockwise to increase brightness, counter-clockwise to decrease brightness.

The intensity level is display on the screen, in percents.

After 10 seconds of inactivity, the screen only displays a red dot, in order to reduce light interferences.

DMX

When the selector (9) is on the MANUAL position, the projector is controlled using DMX. Connect a DMX console on the XLR 5 pin DMX IN (2b), located on the yoke. A DMX OUT connector (2a) allows the signal to be daisy chained to other DMX devices.

In case no DMX is received, the DMX address is displayed on the screen. When a DMX signal is received, a fast blinking dot is added to the address, as show on the following illustration:



Presence of DMX

After 10 seconds of inactivity, the screen is turned off in order to reduce light interferences. Only remains a steady (no DMX) or a fast blinking (presence of DMX) red dot.

When the DMX signal is lost during operations, the projector holds its current state.

The projector EXORAA uses a single DMX channel for the brightness adjustment, as described in the following DMX table:

DMX	BRIGHTNESS
0 - 3	0%
4	0,4%
5	0,8%
.	.
.	.
251	99,20%
252	99,60%
253 - 255	100%

The DMX address can be adjusted from 1 to 512 with the following procedure:

- Press the rotary knob (7) for about 0.5 sec, until the first digit starts blinking on the screen.
- Adjust the value for the units, by turning the rotary knob (7).
- Briefly press the rotary knob (7) to move on to the tens.
- Adjust the value for the tens, by turning the rotary knob (7).
- Briefly press the rotary knob (7) to move on to the hundreds.
- Proceed the same way, until the desired DMX address is displayed.
- Hold the knob (7) fir about 0.5 sec, until the address stops blinking.

Note: During the DMX address adjustment, the projector does not respond to the DMX commands received.

CRMX

When the selector (9) is on the CRMX position, the projector is controlled using a wireless DMX signal from a CRMX transmitter. Exalux recommends the use of the CRMX transmitter EXALUX CONNECT TX100.

The CRMX mode is similar to the DMX mode. Refer to the DMX section for:

- DMX address adjustment
- Presence of DMX signal
- DMX table

The indicator (10) turns on in blue when the projector is linked to a transmitter. In order to unlink the projector from the transmitter, press the button (6) for 3 seconds, until the indicator (10) turns off. The projector can then be linked to a new CRMX transmitter.

The wireless CRMX signal quality can be found on the indicator (8), on a three-colour scale:

- Red: No wireless signal
- Orange: Average signal quality (<40%)
- Green: Good signal quality (>40%)