

LEDMASTER PULSE

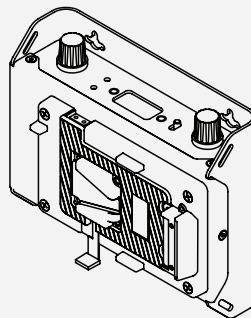
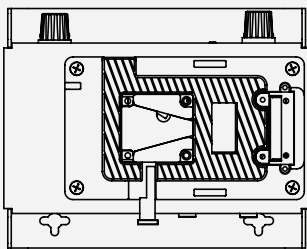
EXALUX™ LEDMASTER PULSE is a 135W high efficiency DMX LED dimmer especially designed for constant voltage LED fixtures such as LedZep™.



EXALUX™ LEDMASTER™ PULSE allows you to adjust the light (CCT & brightness) manually or remotely via [DMX input](#).

LEDMASTER™ PULSE integrates a [V-LOCK socket](#) and a [high efficiency step-up converter](#) that boosts and regulates the battery voltage to 24VDC, so that you can optimally power your LED lighting device regardless of the battery's charge level.

LEDMASTER™ PULSE offers [4 CCT adjustment ranges](#) and is therefore compatible with a wide variety of LED fixtures such as EXALUX™ LEDZEP™, PILLOW™ and many others.



PARTS & ACCESSORIES

LedMaster Pulse	LMA.001.007
24V/120W XLR4 Desktop PSU	PSU.001.044
Trigger remote control	-
XLR4-PL 7 pins 1.5m cable	COR.001.017
XLR4F-XLR4M 5.0m cable	COR.001.014

KITS

LedMaster Pulse Kit LM135	LMA.001.008
Control One Starter + 2 RX100s	CTL.002.002

High performance LED dimmer

- Tunable White CCT synthesizer
- High efficiency step-up converter
- Built-in DMX controller
- Built-in special FX generator



Selectable CCT range

- Compatible with many LED fixtures
- 2 600K ▶ 6 200K | 2 700K ▶ 6 500K
- 2 200K ▶ 5 600K | 2 200K ▶ 6 500K



Designed for LED

- 32Hz flicker free PWM
- Fine and smooth dimming
- Optimized dimming curve for low level



User-centric

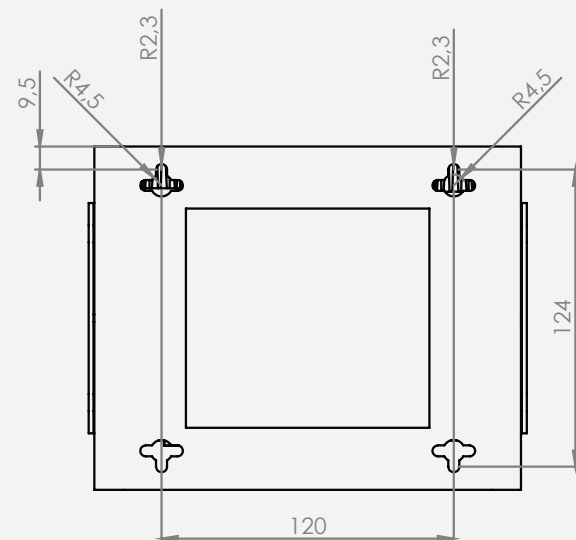
- Trigger input
- AutoLock control function
- LED display

FEATURES

PWM Technology	Low side PMW with phase shift
Channels	2 channels
Dimming range	0 ▶ 100%
CCT Synthesizer ranges	2 600K ▶ 6 200K 2 700K ▶ 6 500K 2 200K ▶ 5 600K 2 200K ▶ 6 500K
CCT Preset	3 200K 4 300K 5 600K 6 500K
Built-In Special Effects	Candle/Fire TV Lightning Paparazzi Strobe Tunnel
Hardware Controls	On/Off/DMX, Brightness (analog), CCT/settings (digital), Unlock
Display	4 digits LED display
Firmware Update	Bootloader, via XLR5 Input (a specific cable is required)

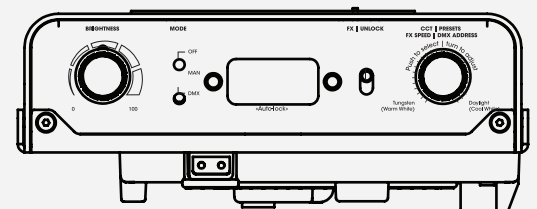
TECHNICAL SPECIFICATIONS

Power rating	135W
Voltage output	24VDC PWM
Capacity	5,6A per channel
PMW frequency	32 kHz
Built-in converter	Synchronous switching step-up
Switching frequency	1MHz
Converter Efficiency	Min : 93% TYP : 96% Max : 98 %
DMX interface	DMX512-A
DMX input	Neutrik XLR 5 pin male
DMX output	Neutrik XLR 5 pin female
DC Input	Neutrik XLR 4 pin male
Trigger Input	Jack 2.5mm
Battery socket	V-LOCK
Housing / construction	Aluminium
IP Rating	IP20
Certifications	CE, RoHS
Weight	665g



OPERATING CONDITIONS

		Min	Typ	Max	
Input Voltage (XLR4)	V _{in}	21	24	24,5	✓
Input Voltage (battery)	V _{in}	10	14,4	18	✓
Storage T°	T _{st}	-30		+80	°C
Operating T°	T _{op}	-20	25	+70	°C



DIMENSIONS

